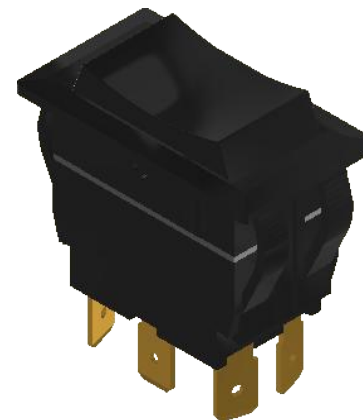
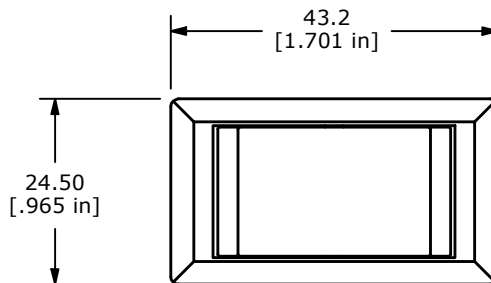


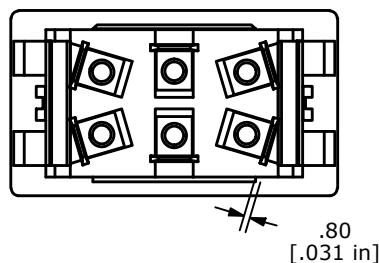
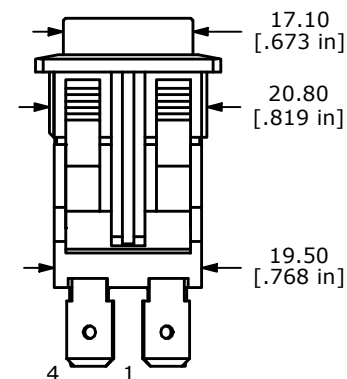
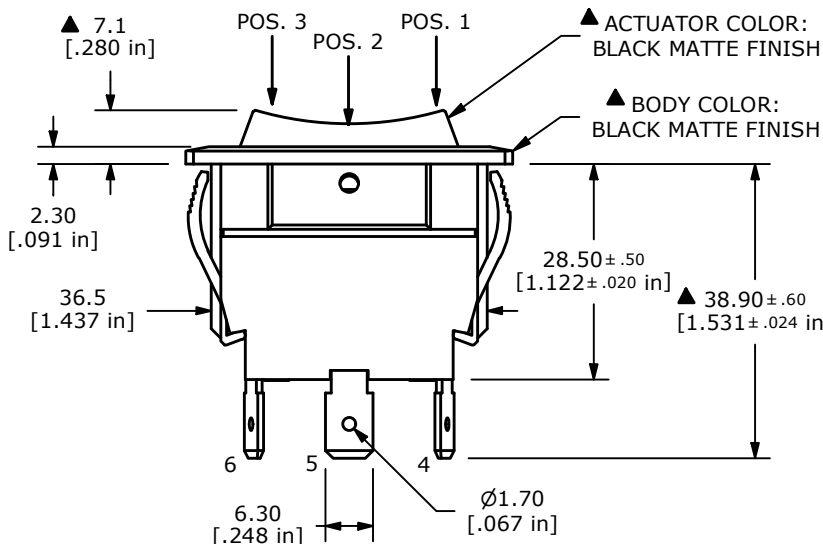
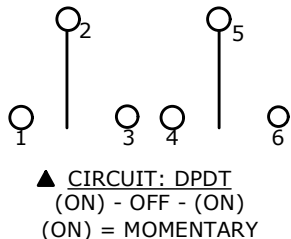
SUGGESTED PANEL CUTOUT

PANEL THICKNESS	(X) +.10mm/-0.00mm
1.5 - 2.0 mm	36.8 mm
2.0 - 3.0 mm	37.2 mm
3.0 - 4.0 mm	37.5 mm



SWITCH FUNCTION		
POS. 3	POS. 2	POS. 1
(ON)	OFF	(ON)
2-1, 5-4	OPEN	2-3, 5-6

(ON) = MOMENTARY



- NOTES:
- ALL DIMENSIONS IN MM [INCH]
 - GENERAL TOLERANCE: X.X=± 0.5
X.XX=± 0.3
 - RATINGS: ANSI/UL 508 AND CAN/CSA C22.2 NO.14 (E195908):
20A, 125VAC [cURus]
15A, 277VAC [cURus]
1.5HP, 110/250VAC [cURus]
 - CONTACT RESISTANCE: 50 mΩ MAX. @ 50VAC
 - INSULATION RESISTANCE: 2 MΩ MIN. @ 500VDC
 - OPERATING TEMPERATURE: 0°C TO +55°C [cURus, CSA]
0°C TO +55°C [VDE]
 - ELECTRICAL LIFE: 6,000 CYCLES [cURus]
 - DIELECTRIC STRENGTH: 1,500V FOR 1 MINUTE
 - INGRESS PROTECTION: IP54
 - ▲ DENOTES CRITICAL PARAMETER

REV	PCR NO	DESCRIPTION	DATE	BY
C	24681	UPDATED DIMENSIONS, CUTOUT, NOTES	3/16/21	JM
B	22499	UPDATED NOTES	5/11/17	MJR
A	18971	INITIAL RELEASE	3/29/10	CAB

TITLE RVW4KD1100				
SCALE 1:1	DATE 3/29/2010	DR CAB	DWG 34-RVW4KD1100	REV C

THE INFORMATION CONTAINED IN THIS DOCUMENT IS PROPRIETARY TO E-SWITCH AND IS NOT TO BE COPIED OR TRANSFERRED